



## 20-40A DIN Rail Redundancy Module



Industrial



Test

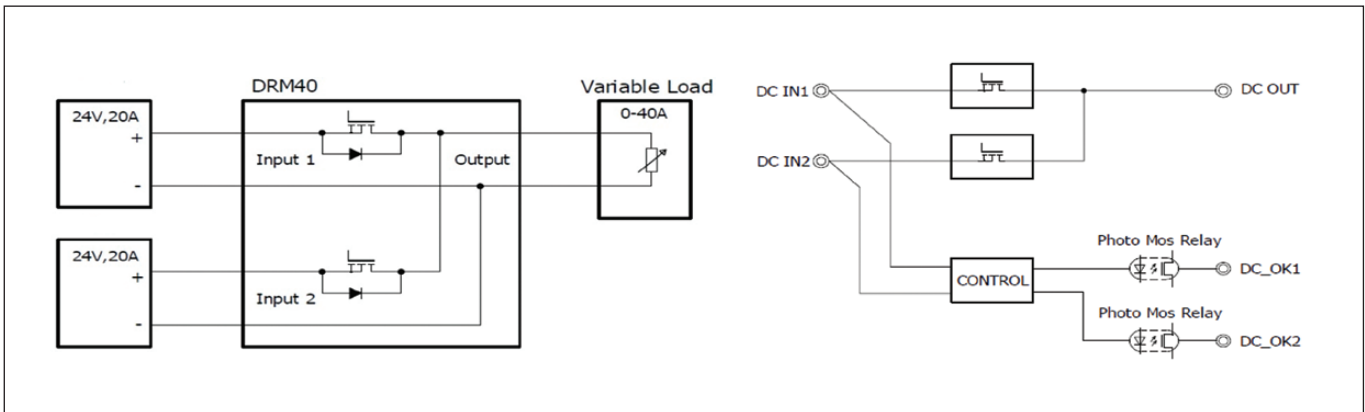
Features	Benefits
• Compact Size	• Consumes less space on the DIN rail
• Low 200mV Voltage Drop	• Reduced voltage drop and power loss
• Current Balance Indicator Option	• Easier to ensure load sharing
• Isolated Alarm Signals	• Enables remote fault monitoring



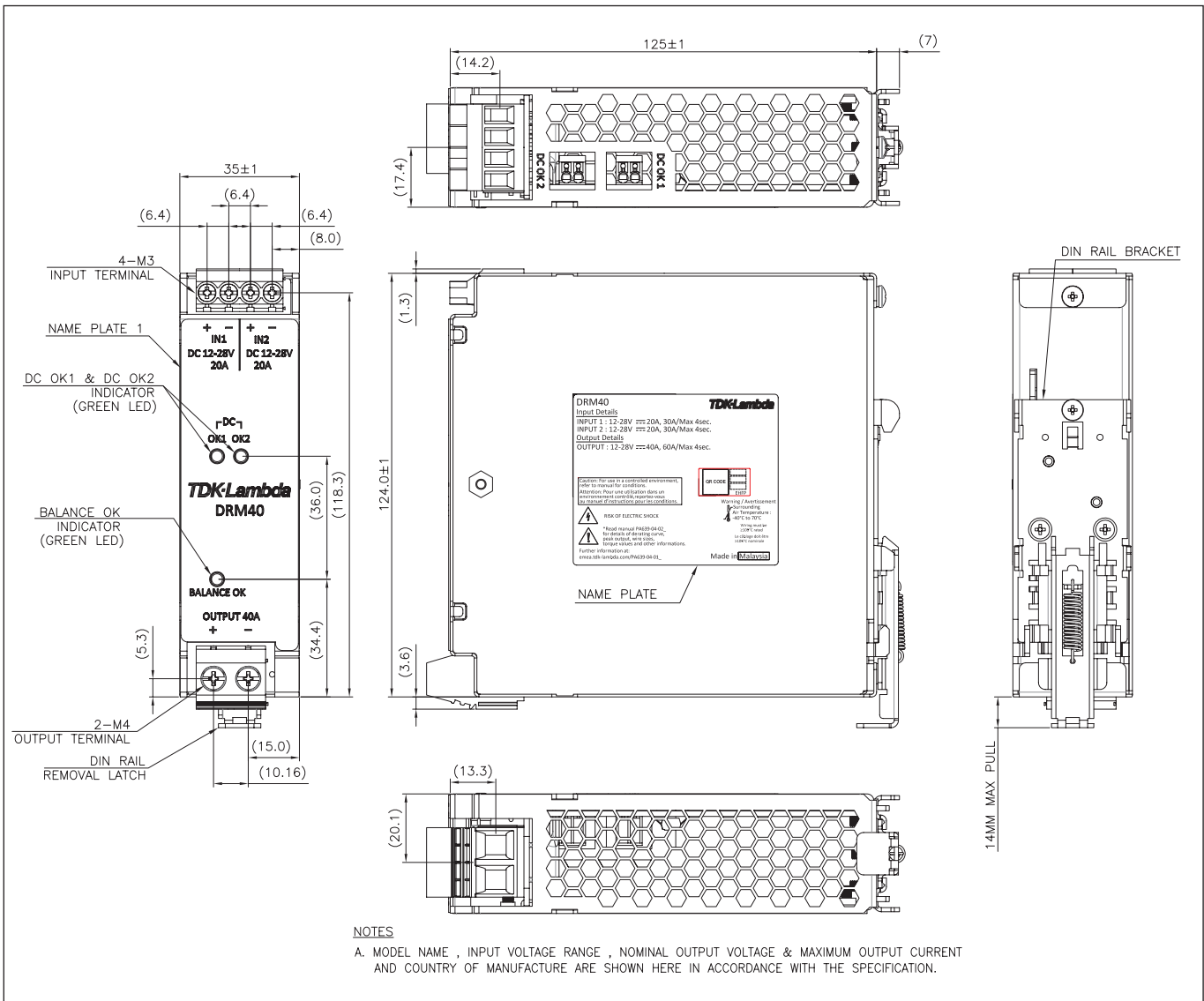
Specification		DRM40	DRM40B
Input Voltage Range	VDC	10 - 30VDC	
Number of inputs	-	Two	
Maximum Input Current	A	2 x 20A, total 60A peak	
Peak Input Current	A	2 x 30A for 4s maximum, 0.35 duty cycle	
Maximum Output Current	A	40A	
Internal Power Loss (typ)	W	8W at 40A	
Input to Output Voltage Drop	VDC	0.2V at 40A	
Maximum Reverse Voltage	VDC	40VDC	
Overcurrent protection	-	None	
Overvoltage protection	-	None	
Operating Temperature	°C	-40 to +70°C standard mounting orientation	
Storage Temperature	°C	-40 to +85°C	
Humidity	%RH	5 - 95%RH operating and storage (non condensing)	
Cooling	-	Convection	
Output Good Indicators	-	Two green LEDs indicating each input is "good"	None
Current Balance Indicators	-	Green LED indicates balanced current	None
Input Voltage Alarms	-	Opto-isolated relays are off when input is below threshold	None
Withstand Voltage	VDC	Input or Output - Chassis 707VDC for 1 minute	
Isolation Resistance	MΩ	Input or Output - Chassis >100MΩ at 25°C, 70%RH and 500VDC	
Vibration	-	None operating, 10 - 55Hz (sweep for 1min), 19.6m/s <sup>2</sup> (2G) Constant, X, Y, Z 1hour each	
Shock	-	<196m/s <sup>2</sup> (20G)	
Safety Agency Approval	-	IEC/EN/UL60950-1, IEC/EN/UL62368-1, UL508, CE Mark	
Size W x D x H)	mm	35 x 125 x 124	
Weight	g	330	
Warranty	Yrs	5	

**Note:** See Installation Manual for full details, test methods of parameters and application notes

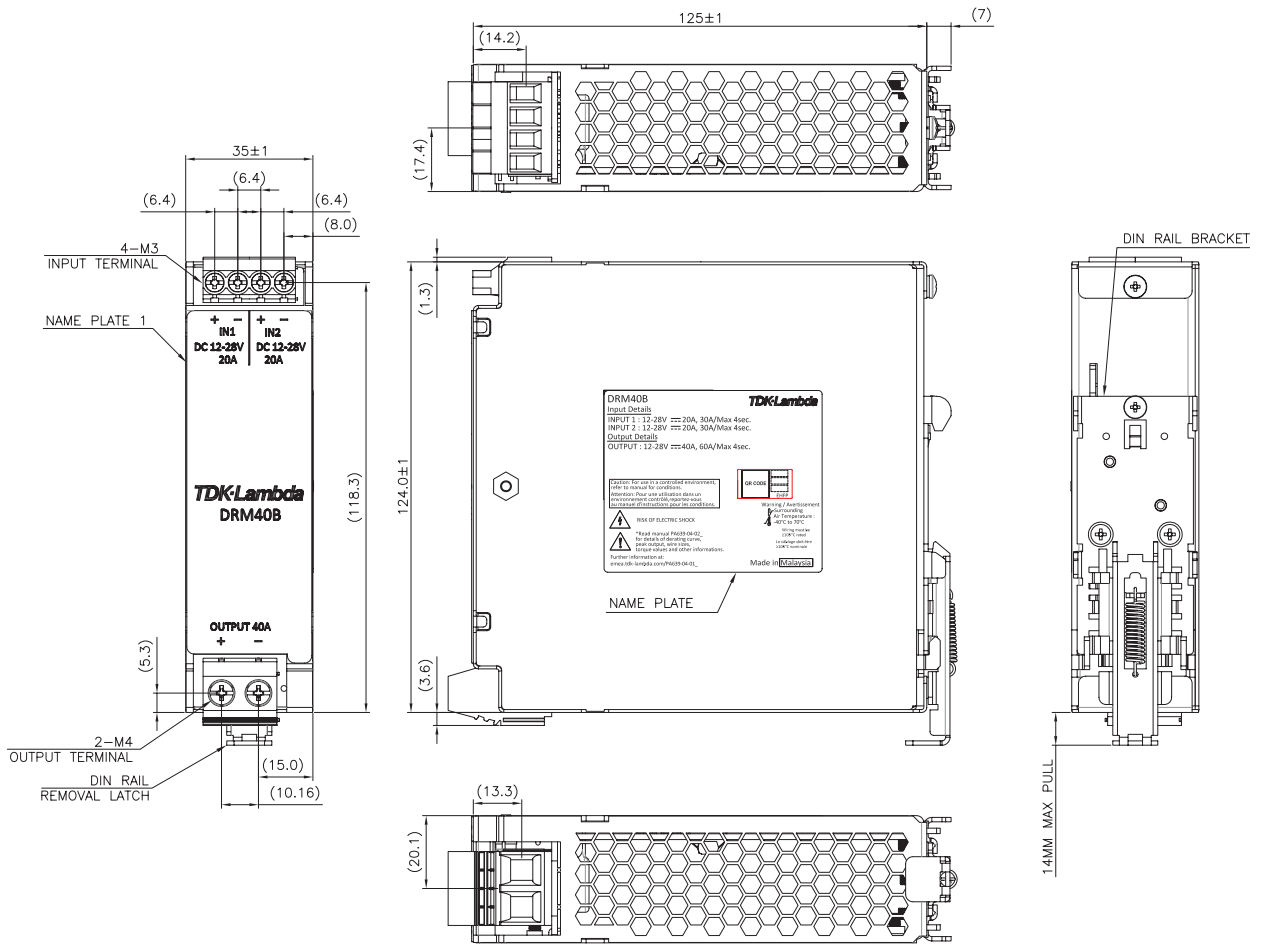
## Block Diagrams DRM40 Series



## Outline Drawing DRM40 Series



## Outline Drawing DRM40B Series



**NOTES**  
 A. MODEL NAME, INPUT VOLTAGE RANGE, NOMINAL OUTPUT VOLTAGE & MAXIMUM OUTPUT CURRENT AND COUNTRY OF MANUFACTURE ARE SHOWN HERE IN ACCORDANCE WITH THE SPECIFICATION.



## TDK-Lambda France SAS

3 Avenue du Canada  
Parc Technopolis  
Bâtiment Sigma  
91940 les Ulis  
France  
Tel: +33 1 60 12 71 65  
Fax: +33 1 60 12 71 66  
france@fr.tdk-lambda.com  
www.fr.tdk-lambda.com



## Italy Sales Office

Via Giacomo Matteotti 62  
20092 Cinisello Balsamo (MI)  
Italy  
Tel: +39 02 61 29 38 63  
Fax: +39 02 61 29 09 00  
info.italia@it.tdk-lambda.com  
www.it.tdk-lambda.com



## Netherlands

info@nl.tdk-lambda.com  
www.nl.tdk-lambda.com



## TDK-Lambda Germany GmbH

Karl-Bold-Strasse 40  
77855 Achern  
Germany  
Tel: +49 7841 666 0  
Fax: +49 7841 5000  
info.germany@de.tdk-lambda.com  
www.de.tdk-lambda.com



## Austria Sales Office

Aredstrasse 22  
2544 Leobersdorf  
Austria  
Tel: +43 2256 655 84  
Fax: +43 2256 645 12  
info@at.tdk-lambda.com  
www.de.tdk-lambda.com



## Switzerland Sales Office

Eichtalstrasse 55  
8634 Hombrechtikon  
Switzerland  
Tel: +41 44 850 53 53  
Fax: +41 44 850 53 50  
info@ch.tdk-lambda.com  
www.de.tdk-lambda.com



## Nordic Sales Office

Haderslevvej 36B  
DK-6000 Kolding  
Denmark  
Tel: +45 8853 8086  
info@dk.tdk-lambda.com



## TDK-Lambda UK Ltd.

Kingsley Avenue  
Ilfracombe  
Devon EX34 8ES  
United Kingdom  
Tel: +44 (0) 12 71 85 66 66  
Fax: +44 (0) 12 71 86 48 94  
powersolutions@uk.tdk-lambda.com  
www.uk.tdk-lambda.com



## TDK-Lambda Ltd.

1 Alexander Yanai  
Segula  
Petah-Tikva  
Israel  
Tel: +9 723 902 4333  
Fax: +9 723 902 4777  
info@tdk-lambda.co.il  
www.tdk-lambda.co.il



## C.I.S.

### Commercial Support:

Tel: +7 (495) 665 2627

### Technical Support:

Tel: +7 (812) 658 0463

info@tdk-lambda.ru

www.tdk-lambda.ru

## Local Distribution

