

PROFIBUS DP ECO Fieldbus Coupler

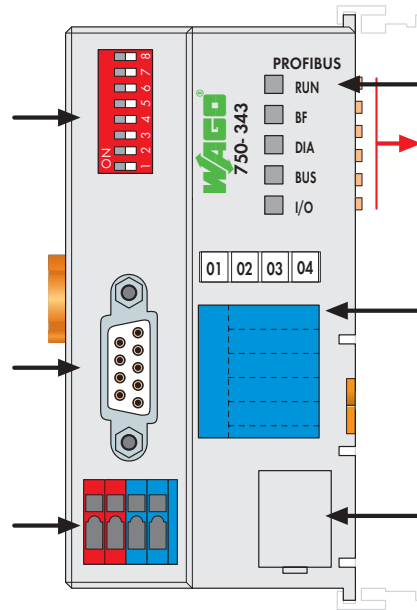
12 Mbaud; digital and analog signals



DIP switch
Address

Fieldbus connection
D-Sub

Supply
24 V
0 V



Status indication
-Fieldbus
-Fieldbus note

Data contacts

Marking area

Configuration
interface

The ECO fieldbus coupler is designed for applications with a reduced scale I/O requirement. Using digital only process data or small amounts of analogs, while retaining all of the choice that's offered by the Series 750 I/O.

The coupler has an integrated supply terminal for the system voltage. The field power jumper contacts are supplied via a separate supply module.

When initializing, the buscoupler determines the module structure of the node, to create the process image in PROFIBUS. In order to optimize addresses, the I/O modules with a bit width smaller than 8 are grouped in one byte.

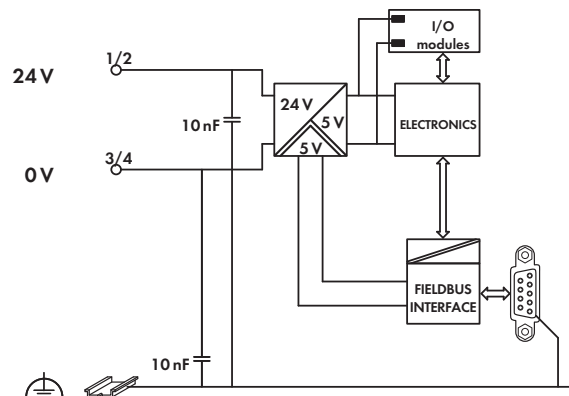
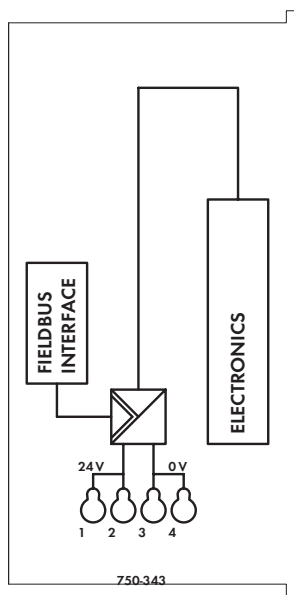
Notice: GSD files required

It is furthermore possible to deactivate I/O modules and to modify the image of the node according to the connected signals without having to modify the existing application.

The diagnosis concept is based on diagnostics according to the EN 50170 standard. Therefore the programming of modules is not necessary to interpret the diagnostic information from each manufacturer.

Description	Item No.	Pack. Unit
PROFIBUS DP ECO 12 MBd	750-343	1
Accessories		
GSD files	Download: www.wago.com	
Miniature WSB Quick marking system		
plain	248-501	5
with marking	see Section 11	
Standards and Approvals		
Standard	EN 50170	
Conformity marking	CE	
Korea Certification		
Marine applications	ABS, BV, DNV, GL, KR, LR, NKK, PRS, RINA	
UL 508		
ANSI/ISA 12.12.01	Class I, Div. 2, Grp. ABCD, T4	
TÜV 12.1297 X (Brazil)	Ex nA IIC T4 Gc	
TÜV 07 ATEX 554086 X	I M2 Ex d I Mb, II 3 G Ex nA IIC T4 Gc, II 3 D Ex tc IIIC T135°C Dc	
IECEX TUN 09.0001 X	Ex d I Mb, Ex nA IIC T4 Gc, Ex tc IIIC T135°C Dc	

System Data	
No. of couplers connected to Master	125 with repeater
Max. no. of I/O points	approx. 6000 (depends on master)
Transmission medium	Cu cable acc. to EN 50170
Max. length of fieldbus segment	100 m ... 1200 m (depends on baud rate/cable)
Baud rate	9.6 Kbaud ... 12 Mbaud
Transmission time	typ. 1 ms (10 couplers; 32 digital I/Os per coupler at 12 Mbaud) max. 3.3 ms
Buscoupler connection	1 x D-Sub 9; socket



Technical Data		General Specifications	
Number of I/O modules	63	Operating temperature	0 °C ... +55 °C
Max. input process image	32 bytes	Wire connection	CAGE CLAMP®
Max. output process image	32 bytes	Cross sections	0.08 mm ² ... 1.5 mm ² / AWG 28 ... 16
Configuration	via PC or PLC	Strip lengths	5 ... 6 mm / 0.22 in
Power supply	24 VDC (-25 % ... +30 %)	Dimensions (mm) W x H x L	50 x 65 x 97
Input current typ. at rated load (24 V)	260 mA		Height from upper-edge of DIN 35 rail
Efficiency of the power supply (typ.) at nominal load (24 V)	80 %	Weight	110.4 g
Internal current consumption (5 V)	350 mA	Storage temperature	-25 °C ... +85 °C
Total current for I/O modules (5 V)	650 mA	Relative air humidity (no condensation)	95 %
		Vibration resistance	acc. to IEC 60068-2-6
		Shock resistance	acc. to IEC 60068-2-27
		Degree of protection	IP20
		EMC immunity of interference	acc. to EN 61000-6-2, marine applications
		EMC emission of interference	acc. to EN 61000-6-4, marine applications