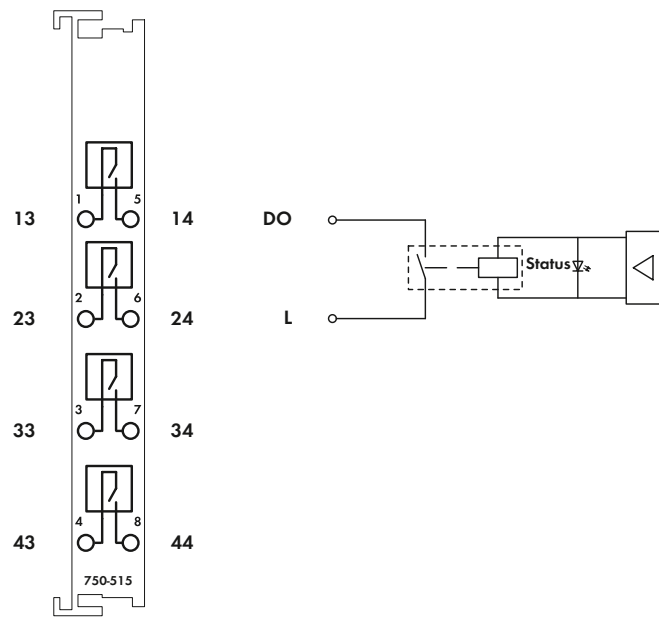
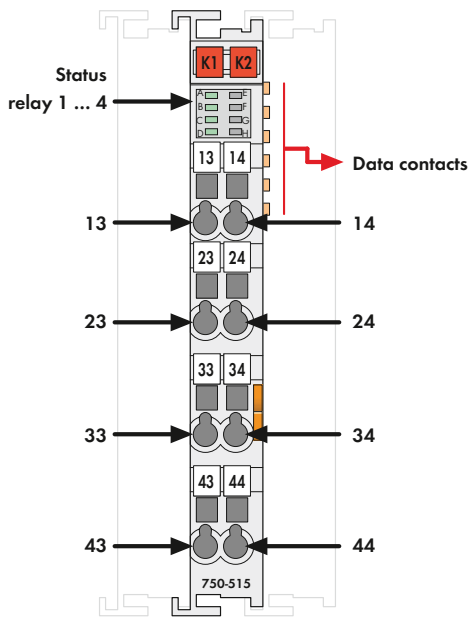


# 4-Channel Relay Output Module, 250 V AC, 2,0 A, isolated outputs, 4 make contacts



Control signals are transmitted from the automation device to connected actuators via the digital output module. The internal system voltage is used to trigger the relay. The NO contacts are electrically isolated. The switched status of the relay is shown by an LED.

Description	Item No.	Pack. Unit
4RO 250VAC 2A Pot-free Relay4NO	750-515	1
<b>Accessories</b>		
Miniature WSB Quick marking system plain	248-501	50
<b>Approvals</b>		
Conformity marking	CE	

Technical Data	
No. of outputs	4 make contacts
Max. current consumption (internal)	95 mA
Max. switching voltage	250 V AC / 30 V DC
Switching power	110 V DC at 0.4 A 1250 VA, 150 W; cos φ max. = 0.4; L/R max = 7 ms
Min. switching current	1 mA / 5 V DC
Max. switching current	2 A AC/DC for each channel; 5 A AC/DC at 1-channel operation
Max. switching frequency	20/Min (3 A / 250 V AC, 30 V DC); 6/Min (5 A / 250 V AC, 30 V DC)
Pull-in time (max.)	10 ms
Bounce time (typ.)	1 ms
Drop-out time (max.)	5 ms
Contact material	AgNi type + Au
Mechanical life (min.)	$2 \times 10^7$
Electrical life (min.)	$1 \times 10^5$ (3 A / 250 V AC, 30 V DC, resistive load); $5 \times 10^4$ (5 A / 250 V AC, 30 V DC, resistive load)
Isolation	1.5 kV eff. (field/system)*; *2.5kV rated surge voltage
Internal bit width	4 bits
Wire connection	CAGE CLAMP®
Cross sections	0.08 mm <sup>2</sup> ... 2.5 mm <sup>2</sup> / AWG 28 ... 14
Strip lengths	8 ... 9 mm / 0.33 in
Width	12 mm
Weight	56.5 g
EMC immunity of interference	acc. to EN 61000-6-2, marine applications
EMC emission of interference	acc. to EN 61000-6-3, marine applications