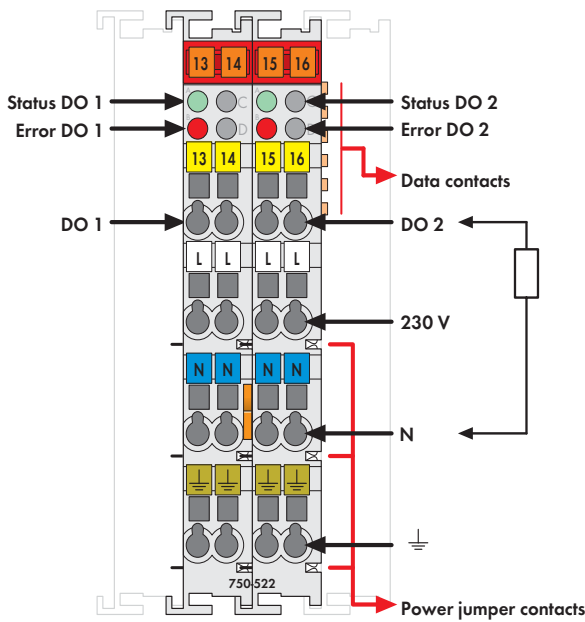
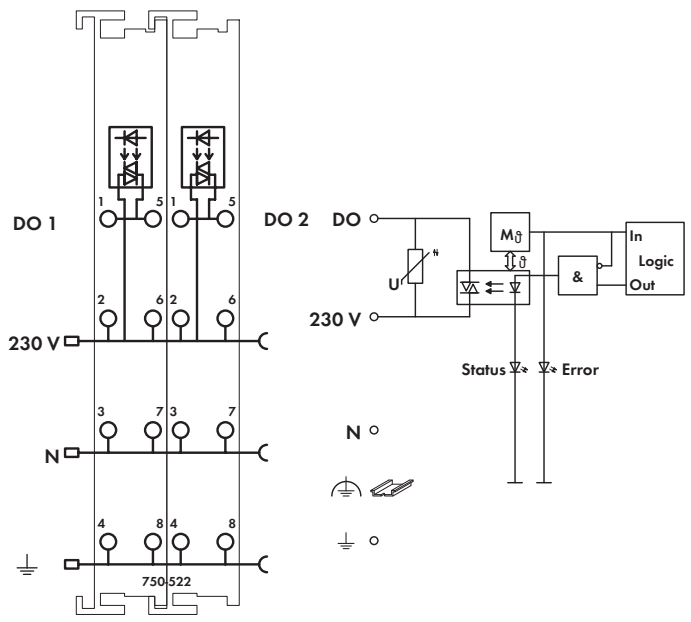


# 2-Channel Digital Output Module 230 V AC

with solid state relay 3.0 A for 30 s



Delivered without miniature WSB markers




The digital output module controls actuators via semiconductor outputs. The bus module receives the control signal via a fieldbus coupler.

The control of the outputs is fully isolated. The outputs are switched at the zero cross. Power supply for the outputs is provided via the power jumper contacts.

Each output has its own overload protection which is realized via an internal temperature limit. In case of an overload, the bus module switches off the output. After the output connection has cooled down, it triggers the output again. The error bit reports the overload in the process image.

**Notice:**  
An additional supply module must be added for operation with 230VAC!

Description	Item No.	Pack. Unit
<b>2DO 230V AC 3.0A/30s/SSR</b>	<b>750-522</b>	<b>1</b>
<b>Product discontinuation</b>	<b>Last Call: 31.05.2018</b>	
Accessories	Item No.	Pack. Unit
<b>Miniature WSB Quick marking system</b>		
 plain	<b>248-501</b>	<b>5</b>
with marking	see Section 11	
Approvals		
Conformity marking	CE	
Korea Certification	KC	
UL 508		
ANSI/ISA 12.12.01	Class I, Div. 2, Grp. ABCD, T4	
TÜV 12.1297 X (Brazil)	Ex nA IIC T4 Gc	
TÜV 07 ATEX 554086 X	I M2 Ex d I Mb, II 3 G Ex nA IIC T4 Gc, II 3 D Ex tc IIIC T135°C Dc	
IECEX TUN 09.0001 X	Ex d I Mb, Ex nA IIC T4 Gc, Ex tc IIIC T135°C Dc	

Technical Data	
No. of outputs	2 make contacts
Current consumption typ. (internal)	40 mA
Max. switching voltage	35 V ... 230 V AC
Switching current (nom.)	0.5 A per channel
Min. switching current	50 mA
Max. switching current	3 A (< 30 s operating time) each channel for a turn-on cycle of 1 hour
Peak current	18 A (100 ms); 30 A (10 ms)
Max. switching frequency	50 Hz
Overvoltage protection	275 V AC (varistor)
Operating speed (typ.)	1.65 ms
Operating speed (max.)	15 ms
Leakage current when turned off	< 2.3 mA
Isolation	3 kV system/supply
Internal bit width	2 bits in, 2 bits out
Wire connection	CAGE CLAMP®
Cross sections	0.08 mm² ... 2.5 mm² / AWG 28 ... 14
Strip lengths	8 ... 9 mm / 0.33 in
Width	24 mm
Weight	115 g
EMC immunity of interference	acc. to EN 61000-6-2
EMC emission of interference	acc. to EN 61000-6-4