

4-Channel Digital Input Module 24 V AC/DC

2-conductor connection

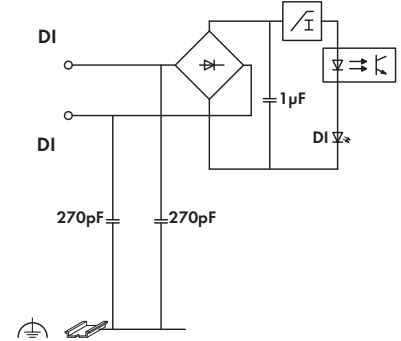
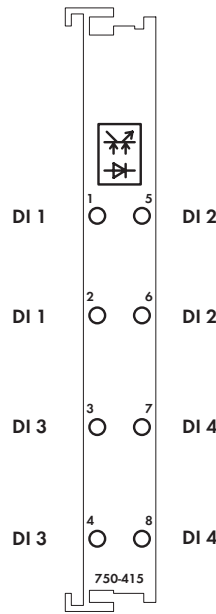
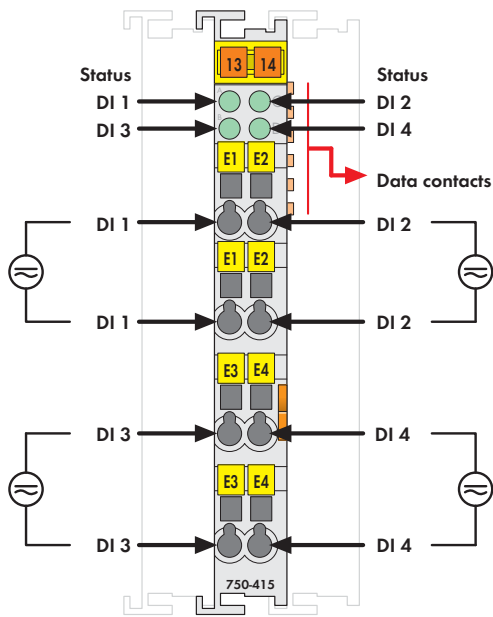


Fig. 750 Series
Delivered without miniature WSB markers




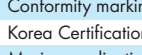

The digital input module receives control signal from the digital field devices (sensors, etc.).

Each input has a bridge rectifier and capacitor and current limitation for AC/DC operation.

Each input module has a downstream noise-rejection filter with an integrated time constant.

An optocoupler provides electrical isolation between the bus and the field side.

All inputs are isolated.

Description	Item No.	Pack. Unit
4DI 24V AC/DC 20ms	750-415	1
4DI 24V AC/DC 20ms (without connector)	753-415	1
Accessories		
 753 Series Connectors	753-110	25
 Coding elements	753-150	100
Miniature WSB Quick marking system		
 plain	248-501	5
 with marking	see Section 11	
Approvals		
Conformity marking	CE	
Korea Certification		
Marine applications	ABS, BV, DNV, GL, KR, LR, NKK, PRS, RINA	
UL 508	UL 508	
ANSI/ISA 12.12.01	Class I, Div. 2, Grp. ABCD, T4	
TÜV 12.1297 X (Brazil)	Ex nA IIC T4 Gc (750-415)	
TÜV 07 ATEX 554086 X	I M2 Ex d I Mb, II 3 G Ex nA IIC T4 Gc, II 3 D Ex tc IIIC T135°C Dc	
IECEx TUN 09.0001 X	Ex d I Mb, Ex nA IIC T4 Gc, Ex tc IIIC T135°C Dc	

Technical Data	
Number of inputs	4
Current consumption (internal)	10 mA
Signal voltage (0)	-3 V ... +5 V DC; 0 V .. 5 V AC
Signal voltage (1)	11 V ... 30 V DC; 10 V .. 27 V AC
Input filter	20 ms
Input current (typ.)	7.5 mA DC; 9.5 mA AC
Isolation	500 V system/supply ; 50 V channel/channel
Internal bit width	4 bits
Wire connection	CAGE CLAMP®
Cross sections	0.08 mm² ... 2.5 mm² / AWG 28 ... 14
Strip lengths, 750/753 Series	8 ... 9 mm / 0.33 in 9 ... 10 mm / 0.37 in
Width	12 mm
Weight	49.5 g
EMC immunity of interference	acc. to EN 61000-6-2, marine applications
EMC emission of interference	acc. to EN 61000-6-4, marine applications