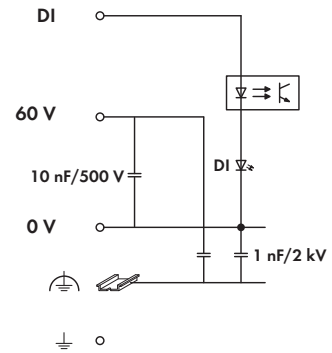
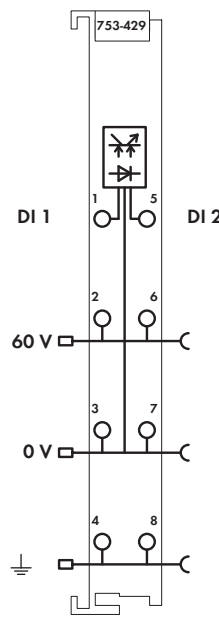
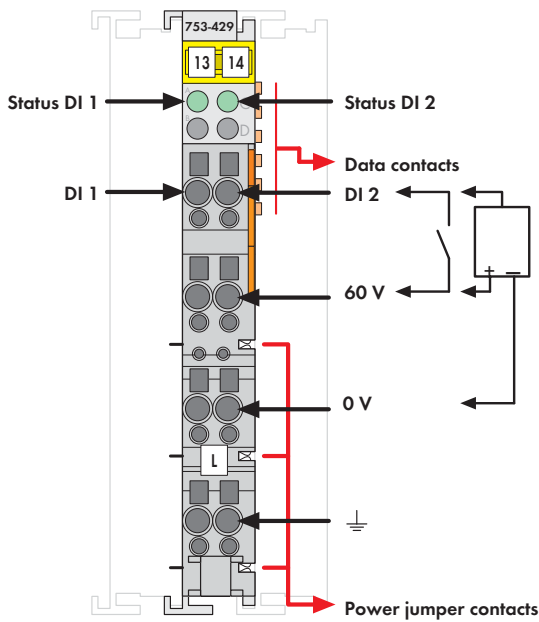


# 2-Channel Digital Input Module 60 V DC

2- to 4-conductor connection; high-side switching



Delivered without miniature WSB markers




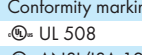
The digital input module receives control signal from the digital field devices (sensors, etc.).

Each input module has a noise-rejection filter with a time constant.

Field and system levels are electrically isolated.

**Notice:**

An additional supply module (750-612) must be added for operation with 60VDC!

| Description  | Item No.  | Pack. Unit |
|--|---|------------|
| <b>2DI 60V DC 3.0ms (without connector)</b>  | <b>753-429</b>  | <b>1</b>   |
| <b>Accessories</b>   |   |            |
|  <b>753 Series Connectors</b> | <b>753-110</b>  | <b>25</b>  |
|  <b>Coding elements</b>       | <b>753-150</b>  | <b>100</b> |
| <b>Miniature WSB Quick marking system</b>  |   |            |
|  plain                        | <b>248-501</b>  | <b>5</b>   |
|  with marking                 | see Section 1.1   |            |
| <b>Approvals</b>   |   |            |
| Conformity marking   | CE  |            |
| UL 508   |   |            |
| ANSI/ISA 12.12.01  | Class I, Div. 2, Grp. ABCD, T4  |            |
| TÜV 07 ATEX 554086 X   | I M2 Ex d I Mb,<br>II 3 G Ex nA IIC T4 Gc,<br>II 3 D Ex tc IIIC T135°C Dc |            |
| IECEX TUN 09.0001 X  | Ex d I Mb,<br>Ex nA IIC T4 Gc,<br>Ex tc IIIC T135°C Dc                    |            |

| Technical Data                      |                                      |
|-------------------------------------|--------------------------------------|
| Number of inputs                    | 2                                    |
| Max. current consumption (internal) | 2.5 mA                               |
| Voltage via power jumper contacts   | 60 V DC (-20 % ... +25 %)            |
| Signal voltage (0)                  | -7.5 V ... +12 V DC                  |
| Signal voltage (1)                  | 44 V ... 75 V DC                     |
| Input filter                        | 3.0 ms                               |
| Input current (typ.)                | 2.9 ms                               |
| Isolation                           | 500 V system/field                   |
| Internal bit width                  | 2 bits                               |
| Wire connection                     | CAGE CLAMP®                          |
| Cross sections                      | 0.08 mm² ... 2.5 mm² / AWG 28 ... 14 |
| Strip lengths                       | 9 ... 10 mm / 0.37 in                |
| Width                               | 12 mm                                |
| Weight                              | 50 g                                 |
| EMC immunity of interference        | acc. to EN 61000-6-2                 |
| EMC emission of interference        | acc. to EN 61000-6-4                 |