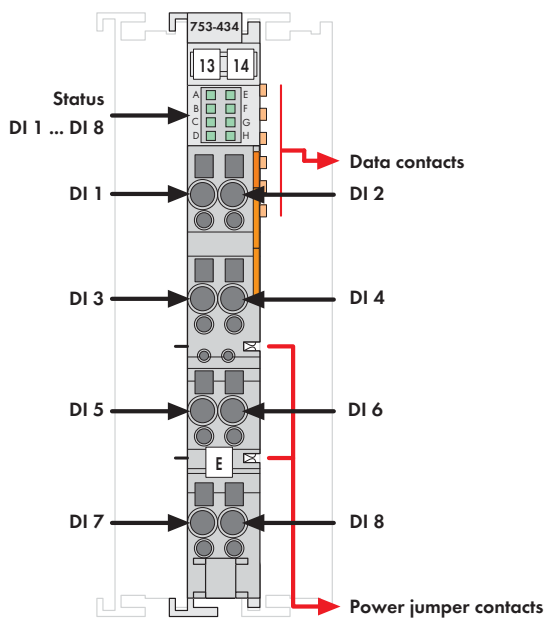
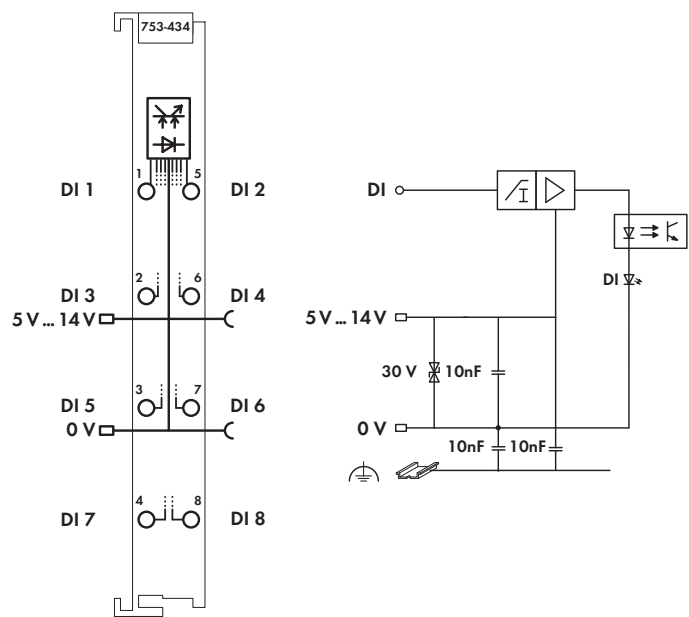


8-Channel Digital Input Module 5 ... 14 V DC

1-conductor connection; high-side switching



Delivered without miniature WSB markers



NOTE: Connection point marking (i.e., 1 ... 8) does not refer to channel assignment




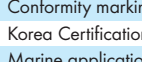
The digital input module provides 8 channels at a width of just 12mm (0.47in.). It receives control signals from the digital field devices (sensors, etc.).

Each input module has a noise-rejection filter.

Field and system levels are electrically isolated.

Notice:

An additional supply module must be added for operation with 5-14VDC!

Description	Item No.	Pack. Unit
8DI 5 (14)V DC 0.2ms (without connector)	753-434	1
Accessories		
 753 Series Connectors	753-110	25
 Coding elements	753-150	100
Miniature WSB Quick marking system		
 plain	248-501	5
 with marking	see Section 1.1	
Approvals		
Conformity marking	CE	
Korea Certification	KC	
Marine applications	GL	
UL 508		
ANSI/ISA 12.12.01	Class I, Div. 2, Grp. ABCD, T4	
TÜV 07 ATEX 554086 X	I M2 Ex d I Mb, II 3 G Ex nA IIC T4 Gc, II 3 D Ex tc IIIC T135°C Dc	
IECEX TUN 09.0001 X	Ex d I Mb, Ex nA IIC T4 Gc, Ex tc IIIC T135°C Dc	

Technical Data	
Number of inputs	8
Current consumption (internal)	4 mA
Voltage via power jumper contacts	5 V ... 14 V DC (-15 % ... +20 %)
Signal voltage (0)	-3 V DC ... 0.2 x V _V
Signal voltage (1)	0.5 V _V ... 1.1 V _V
Input filter	0.2 ms
Input current (typ.)	60 µA at 12 V
Input resistance	> 100 kΩ
Isolation	500 V system/supply
Internal bit width	8 bits
Wire connection	CAGE CLAMP®
Cross sections	0.08 mm ² ... 2.5 mm ² / AWG 28 ... 14
Strip lengths	9 ... 10 mm / 0.37 in
Width	12 mm
Weight	41.2 g
EMC immunity of interference	acc. to EN 61131-2, marine applications
EMC emission of interference	acc. to EN 61131-2, marine applications