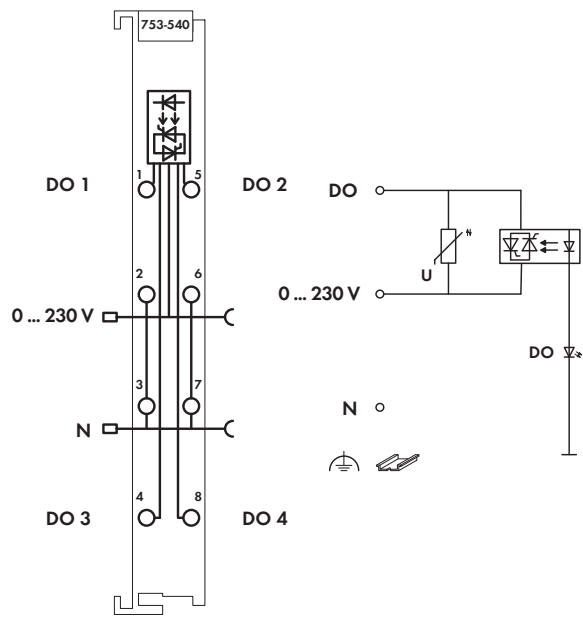
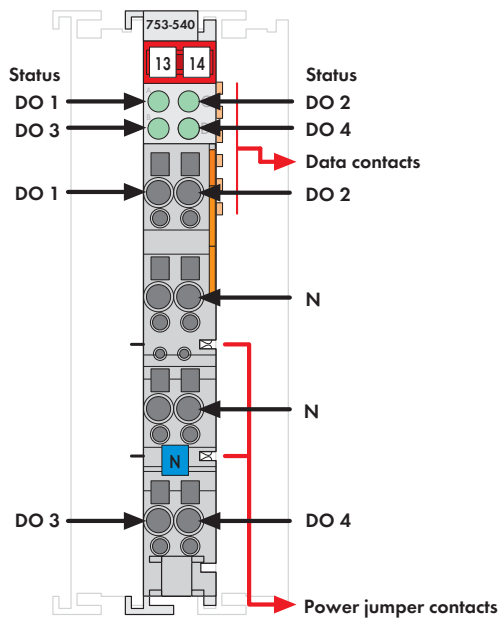


# 4-Channel Digital Output Module 5 ... 250 VAC

Short-circuit protected; high-side switching



Delivered without miniature WSB markers

Control signals are transmitted from the automation device to connected actuators via the digital output module.



The module has four output channels and four actuators may be connected to it.

The switched status of the outputs is shown by an LED.

Field and system levels are electrically isolated.

**Notice:**

An additional supply module must be added for operation with 5 ... 250 VAC!

Description	Item No.	Pack. Unit
<b>4DO 5-250V AC 0.25A (without connector)</b>	<b>753-540</b>	<b>1</b>
<b>Accessories</b>		
 <b>753 Series Connectors</b>	<b>753-110</b>	<b>25</b>
<b>Coding elements</b>	<b>753-150</b>	<b>100</b>
<b>Miniature WSB Quick marking system</b>		
 plain	<b>248-501</b>	<b>5</b>
with marking	see Section 11	
<b>Approvals</b>		
Conformity marking	CE	
UL 508		
ANSI/ISA 12.12.01	Class I, Div. 2, Grp. ABCD, T4	
TÜV 07 ATEX 554086 X	I M2 Ex d I Mb, II 3 G Ex nA IIC T4 Gc, II 3 D Ex tc IIIC T135°C Dc	
IECEX TUN 09.0001 X	Ex d I Mb, Ex nA IIC T4 Gc, Ex tc IIIC T135°C Dc	

Technical Data	
No. of outputs	4
Current consumption (internal)	18 mA
Voltage via power jumper contacts	5 ... 250 VAC
Overvoltage protection	275 V AC varistor
Type of load	resistive, inductive
Short-circuit current	max. 10 A (16 ms)
Response time/Drop-out time (max.)	10 ms at 50 Hz (zero crossing switch)
ON voltage difference L-DO max.	1.2 V
Output current	0.25 A, short-circuit-protected
Isolation	1.5 kV eff. (field/system)*; * 2.5 kV rated surge voltage
Internal bit width	4 bits
Wire connection	CAGE CLAMP®
Cross sections	0.08 mm² ... 2.5 mm² / AWG 28 ... 14
Strip lengths	9 ... 10 mm / 0.37 in
Width	12 mm
Weight	42.3 g
EMC immunity of interference	acc. to EN 61000-6-2
EMC emission of interference	acc. to EN 61000-6-4